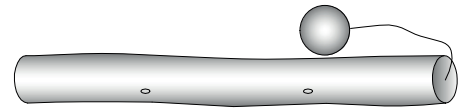


1 2 X (Ø 5 x 15 cm)



2 1 X (Ø 5 x 35 cm)



3 1 X (Ø 5 x 40 cm)



4 1 X (20 x 35 cm)

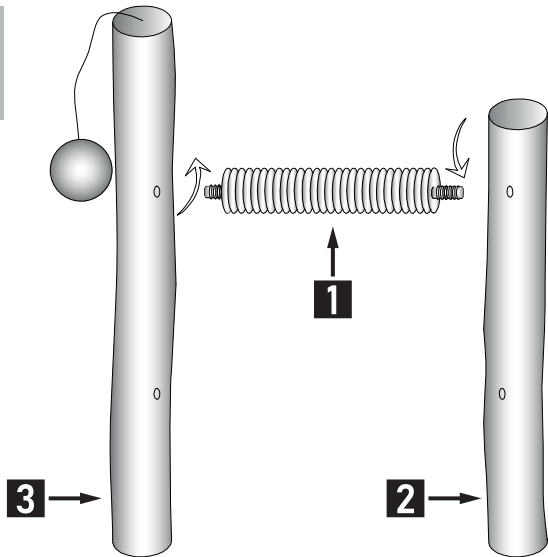


5 2 X (Ø 8 x 40 mm)

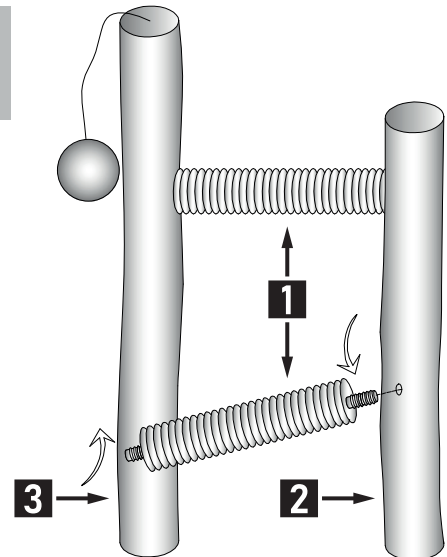


6 1 X (8 x 60 mm)

1



2



3

